

■ 总体说明

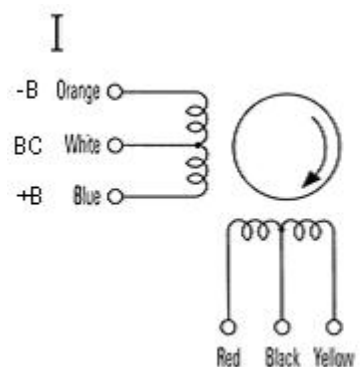
- 绝缘强度：1000VAC
- 绝缘电阻：100MΩ（500VDC）
- 绝缘类型：B type
- 径向负载：80N
- 轴向负载：20N
- \* 负载点在从轴末端起的 1/3 处



■ 电气规格

型号	轴数	步距角 (°)	电压 (V)	相电流 (A/phase)	相电阻 (Ω/phase)	相电感 (mH/phase)	保持力矩 N.m(kgf.cm)	转子惯量 (×10 <sup>-4</sup> kg.m <sup>2</sup> )	重量 (Kg)	接线方式
103H7821-0140(0110)	单轴 (双轴)	1.8	5.7	1	5.7	8.3	0.83(8.5)	0.275	0.6	I
103H7821-0440(0410)			3	2	1.5	2				
103H7821-0740(0710)			2.04	3	0.68	0.8				
103H7822-0140(0110)			8	1	6.9	14	1.17(12)	0.4	0.77	
103H7822-0440(0410)			4	2	1.8	3.6				
103H7822-0740(0710)			2.74	3	0.8	1.38				
103H7823-0140(0110)			10.4	1	10.4	21.7	2.1(21)	0.84	1.34	
103H7823-0440(0410)			5.2	2	2.6	5.6				
103H7823-0740(0710)			3.6	3	1.2	2.4				

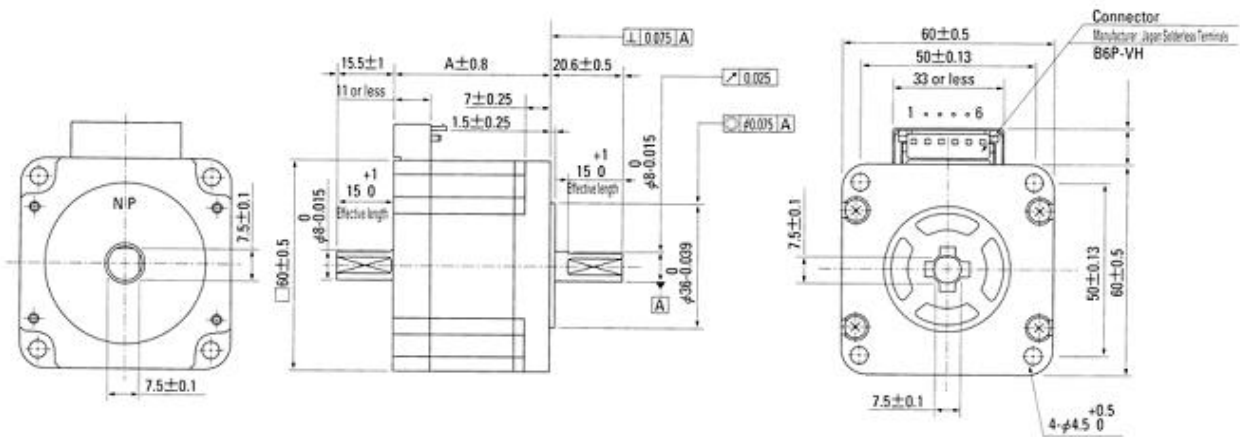
■ 电机内部接线及旋转方向 (从安装基座处看)



		Color of lead				
		Black and white	Red	Blue	Yellow	Orange
Step	1	⊕	⊖	⊖		
	2	⊕		⊖	⊖	
	3	⊕			⊖	⊖
	4	⊕	⊖			⊖

■ 尺寸图

■Dimension (unipolar windings) [unit:mm]

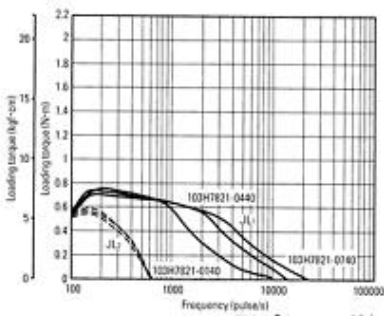


Note about applicable connector (Jagan Solderless Terminals)	
Solderless	Housing : VHR-6N Contact : SVH-2IT-P1-1

Note : The applicable housing and contact must be provided by the customer.

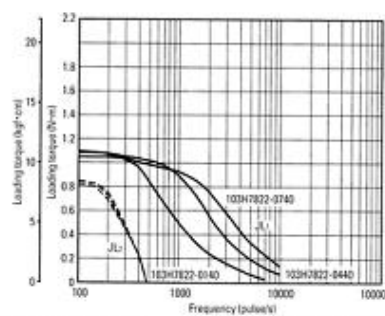
Model	A(mm)	B(mm)
103H7821-□□□□	44.8	00.0
103H7822-□□□□	53.8	00.0
103H7823-□□□□	85.8	00.0

■Frequency-torque characteristics (2-phase excitation drive)



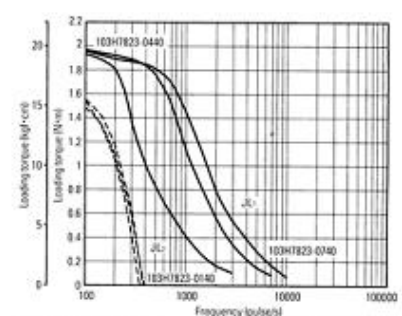
103H7821-0140  
103H7821-0440  
103H7821-0740

— : Gateway torque (JL)  
- - - : Starting torque (JL)  
Drive circuit = SLA-7026M  
E=24V  
JL=8.84X10<sup>-4</sup>kg·m<sup>2</sup>  
JL=0.8X10<sup>-4</sup>kg·m<sup>2</sup>



103H7822-0140  
103H7822-0440  
103H7822-0740

— : Gateway torque (JL)  
- - - : Starting torque (JL)  
Drive circuit = SLA-7026M  
E=24V  
JL=7.4X10<sup>-4</sup>kg·m<sup>2</sup>



103H7823-0140  
103H7823-0440  
103H7823-0740

— : Gateway torque (JL)  
- - - : Starting torque (JL)  
Drive circuit = SLA-7026M  
E=24V  
JL=7.4X10<sup>-4</sup>kg·m<sup>2</sup>

\*The measured current is based on the specification.